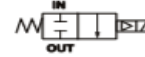
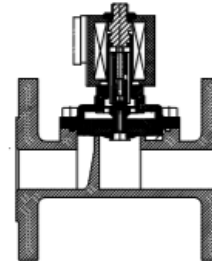
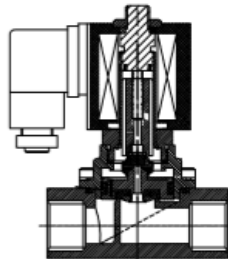


2/2 General Purpose

YCPS31 Series, Piston Direct Lifting,
Normally Closed



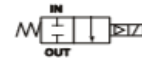
- Characteristic :**
- 1.Direct lifting piston construction with high frequency
 - 2.Opened from 0 pressure with large flow rate
 - 3.Applied to low pressure system
- Medium :** Steam and Hot Water, Oil, Civil gas
- Temperature:** PTFE Seal: -4F to 250F, -20°C to 180°C
VITON Seal: 14F to 300F, -10°C to 150°C
- Pressure:** YCPS31: 0.00MPa ~ 1.0MPa
- Port Size:** 3/8", 1/2", 3/4", 1", 1 1/4", 1 1/2", 2"
- Port Thread:** BSPP . BSPT . NPT . Flange
- Orifice (mm):** 12, 15, 20, 25, 32, 40, 50
- Voltage:** DC - 12V, 24V
AC - 24V, 120V, 240V@60HZ; 110V, 220V@50HZ
Tolerance: +/- 10%
- Coils :** S21H, 22VA(AC), 15W(DC), IP65,100%ED
- Material:** Body - Stainless steel
Seal -PTFE or VITON
Armature Tube - Stainless Steel 304
Plunger - Stainless Steel 430F
Stop -SS430F
Springs - SS 304
Shading Rings - Stainless Steel 304
Piston:SS304



YCPS31 Normally Closed , with Coil S21H/SD01H

Port Size	Orifice	Cv	Min Pressure	Max Pressure		Seals Material	Body Material	Valve Body	Coil
				AC(22VA)	DC(14W)				
3/8"	12	4.5	0.0MPa	1.0MPa	1.0MPa	PTFE or VITON,	SUS304	YCPS3112 XXX	S21H
1/2"	15	4.5	0.0MPa	1.0MPa	1.0MPa			YCPS3115 XXX	S21H
3/4"	20	9.3	0.0MPa	1.0MPa	1.0MPa			YCPS3120 XXX	S21H
1"	25	12	0.0MPa	1.0MPa	1.0MPa			YCPS3125 XXX	S21H
1 1/4"	32	24	0.0MPa	1.0MPa	1.0MPa			YCPS3132 XXX	SD01H
1 1/2"	40	29	0.0MPa	1.0MPa	1.0MPa			YCPS3140 XXX	SD01H
2"	50	48	0.0MPa	1.0MPa	1.0MPa			YCPS3150 XXX	SD01H
F1"	25	12	0.0MPa	1.0MPa	1.0MPa			YCPS3125 XXX	S21H
F1 1/4"	32	24	0.0MPa	1.0MPa	1.0MPa			YCPS3132 XXX	SD01H
F1 1/2"	40	29	0.0MPa	1.0MPa	1.0MPa			YCPS3140 XXX	SD01H
F2"	50	48	0.0MPa	1.0MPa	1.0MPa			YCPS3150 XXX	SD01H

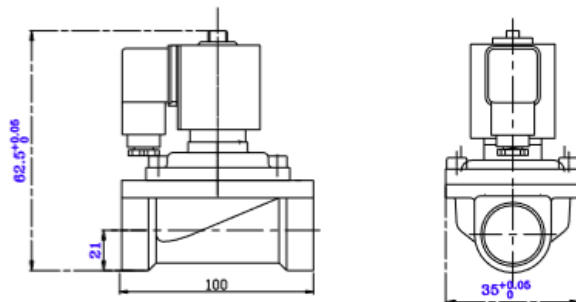
Determine Valve Body Code



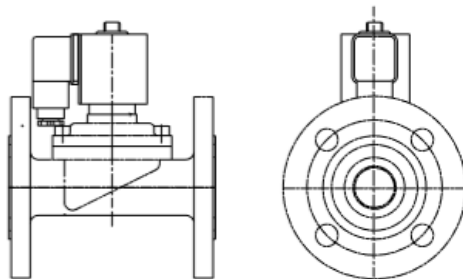
Type	Orific	Port	Body	Seal	Coils	Voltage
YCPS31	12, 15, 20, 25	F- Flange	S- Stainless steel	P - PTFE seal	S21H	1, AC220V 2, DC24V
	32, 40, 50	N-NPT Thread		V - VITON Seal	SD01H	3, AC110V 4, DC12V 5, AC24V 6, DC6V

example: YCPS31 25 FBN S21H1

Dimension



Valve Body	YCPS3112XXXX	YCPS3115XXXX	YCPS3120XXXX	YCPS3125XXXX	YCPS3132XXXX	YCPS3140XXXX	YCPS3150XXXX
A	63	63	70	85	139	130	155
B	60	60	63	72	96	96	122
C	130	130	135	170	166	166	183
D	15	15	17	21	28	28	34



Valve Body	YCPS3125XXXX	YCPS3132XXXX	YCPS3140XXXX	YCPS3150XXXX
A	130	160	160	190
B	115	140	150	165
C	175	187	187	200
D	57.5	69	69	82.5