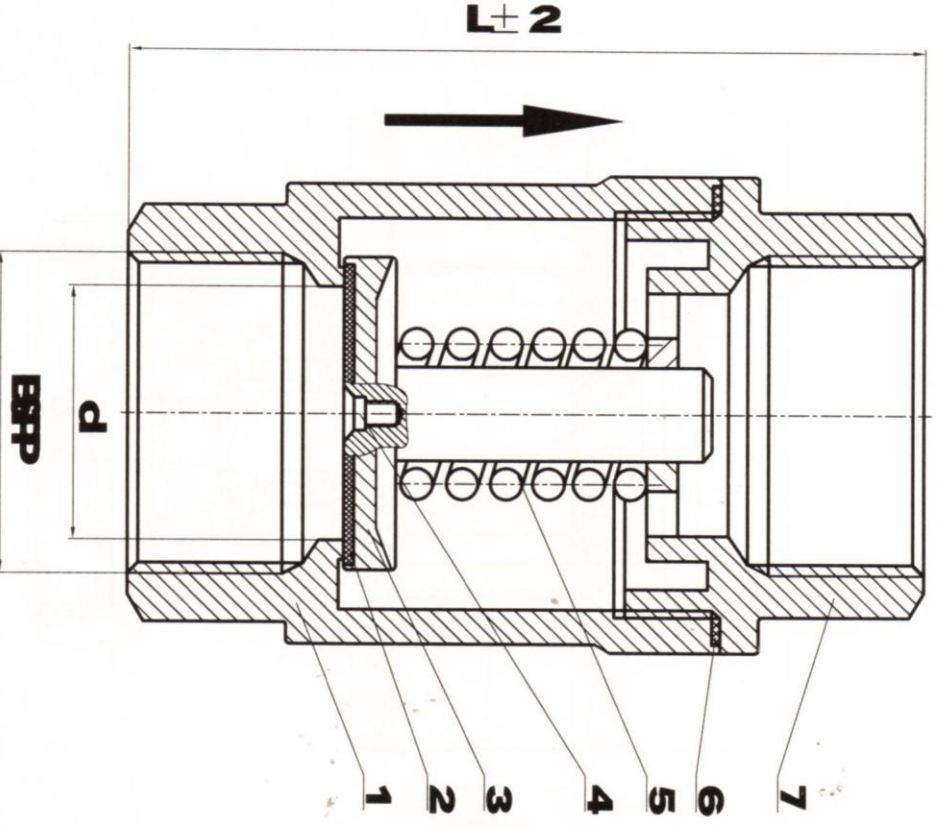


1	24	1	78
3/4	18	3/4	67.5
1/2	15	1/2	58
NPS	d	BSPP	L



Performance Specification	
Normal Pressure	1000 VBS
Seal test	1.8 MPa
Seal test	1.3 MPa
Working Temperature	-29~150 °C
Medium	Water, oil & gas

- Technical Specification**
- 1 Design and manufacture refer to ASME B16.34
 - 2 Face-to-face to AWS Standard
 - 3 End Connection Thread to ISO 228.1
 - 4 Impediment and test refer to API 588

NO	PART NAME	QTY	FILE NO.	SIGN	DATE
7	Cap				
6	Gasket				
5	Spring				
4	Ball				
3	Disc				
2	Sealing				
1	Body				
NO	PART NAME				

MARK	QTY	FILE NO.	SIGN	DATE
DESIGN				
CHECK				
TECHNOLOGY				

100MM		H2400MM	
NPS 1/2-1		WT.	
Check Valve		DRAW REV. 00	

CHECKED BY
 PRINTED BY
 QD DRAWING NO.
 QD DRAWING NO.
 SIGNATURE
 DATE

ASSEMBLY DRAWING