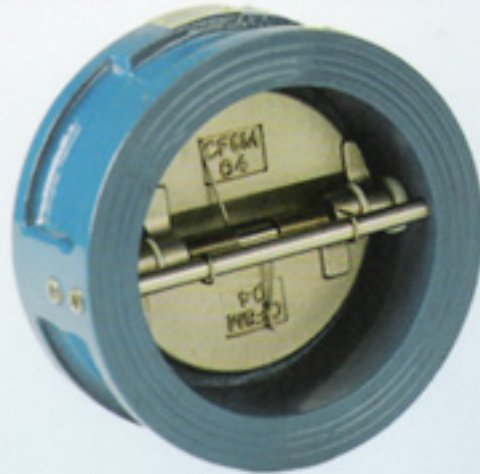


W

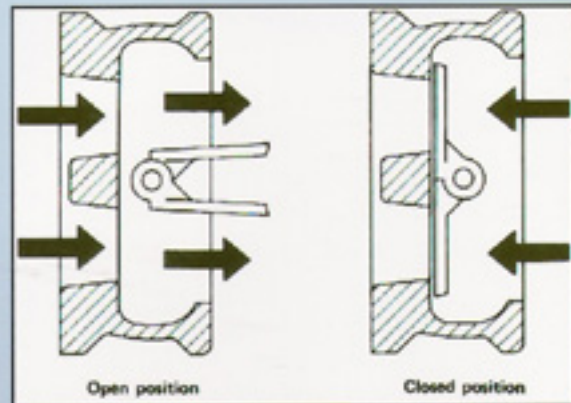
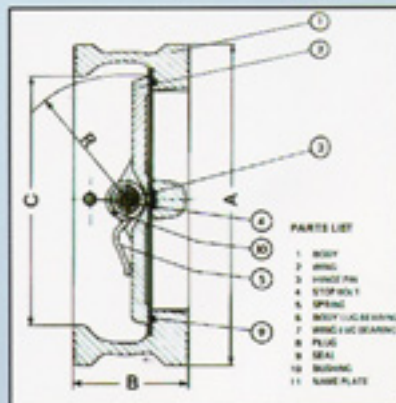
Check Valve



Double wing, Model: Flow 207

Description:

- Body: Cast Iron PN16 GG25 Epoxy coated for corrosive durability.
- EPDM seat.
- Cast spheroidal wings, with Chrom plated, Model 207DI.
- Stainless steel CF8M wings for hard water and chemical durability Model 207S.
- Stainless steel 316 spring.
- Suitable for installation between BS, DIN, ANSI, flanges.
- Minimum operating pressure 0.1 Bar.



Size:

Nominal size		A	B	C	R	Weight Kg
Inch	mm	mm	mm	mm	mm	
2"	50	81	41	60	28	2.3
3"	80	128	62	100	37	3.5
4"	100	160	62	112	53	7.4
5"	125	184	69	141	66	9
6"	150	212	75	166	78	12.5
8"	200	269	87	216	103	18.6
10"	250	325	112	272	125	27
12"	300	378	112	322	153	38

Nominal size		A	B	C	R	Weight Kg
Inch	mm	mm	mm	mm	mm	
14"	350	437	125	353	175	62
16"	400	490	137	403	194	77
18"	450	544	150	453	219	100
20"	500	584	150	506	237	130
22"	550	637	175	556	259	155
24"	600	687	175	606	281	182
28"	700	803	225	706	294	230
32"	800	916	237	806	319	270