



SINCE 1975

# DSC PV60 CONDENSATE PUMP

MOP 10K x 230°C



- ALL STAINLESS STEEL INTER.NAL MECHANISM WITH FLOAT ,  
USE LOW COST AIR OR STEAM AS FORCE  
TO PUMP HIGH TEMPERATURE, LOW PRESSURE  
OR VACUUM CONDENSATE TO RETURN LINE  
OR HIGHER PRESSURE LINE.
- COMPARE WITH CONVENTIONAL PUMP, NO LEAKING  
MECHANICAL SEAL, NO CAVATION, NO ELECTRICITY,  
LESS HARZARD.
- ALL PARTS ARE REPLACEABLE, WE SUPPLY READY  
TO CHANGE CAP WITH ALL MECHANISM  
AND FLOAT FOR QUICK REPLACEMENT.



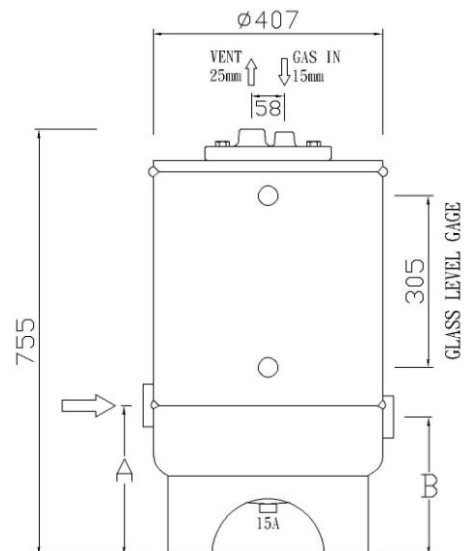
## No. PV60 DIMANSION(mm) WEIGHT(Kg)

No.	INLET CONN.	OUTLET CONN.	A	B	WT.	1. INLET & OUTLET CHECK VALES ARE SUPPLIED WITH PUMP  2. GLASS LEVEL GAGE ARE AVAILIBE
PV60-25	25	25	264	245	80	
PV60-40	40	40	264	245	80	
PV60-50	50	50	264	245	80	
PV60-80	80	50	264	245	80	

GAS INLET CONN.:15mm VENT OUTLET CONN.:25mm

## No. PV60 CONSTRUCTION OF MATERIALS

01	BODY	FABRICATED STEEL
02	GASKET	GRAPHITE SHEET
03	BOLT	ALLOY STEEL
04	SEAT	SS420 HARDENED
05	MECHANISM	SS304
06	FLOAT	SS304
07	MECHANISM SPRING	INCONEL X750
08	CHECK VALVE	BRONZE





SINCE 1975

# DSC PV60 CONDENSATE PUMP

MOP 10K x 230°C



No. PV60 DISCHARGE CAPACITY Kg/hr. PRESSURE Kg/cm<sup>2</sup>

STEAM MOTIVE PRESSURE	BACK PRESSURE	PV-60-25	PV-60-40	PV-60-50	PV-60-80
		DISCHARGE CAPACITY			
1	0.3	900	1400	2000	3400
2		1200	2000	3000	5000
3		1300	2200	3100	5250
5		1500	2350	3250	5400
7		1590	2500	3300	5500
9		1700	2650	3400	5600
2	1.0	1100	1620	2550	3450
3		1150	1750	2700	4650
5		1250	1900	2900	4800
7		1400	2100	3000	4900
9		1500	2300	3100	5200
3	1.5	1050	1350	2000	3200
4		1100	1900	2700	4500
5		1200	2000	2750	4600
7		1250	2130	2800	4650
9		1350	2750	2900	4800
4	3.0	1000	1700	2300	3100
5		1100	1850	2600	3500
7		1150	1950	2750	3700
9		1250	2100	2950	3900
5	4.0	900	1600	1900	2500
7		1250	1700	2100	2800
9		1300	1800	2200	3000