



# DSC K03 ALL STAINLESS STEEL VALVE TRAP PACKAGE

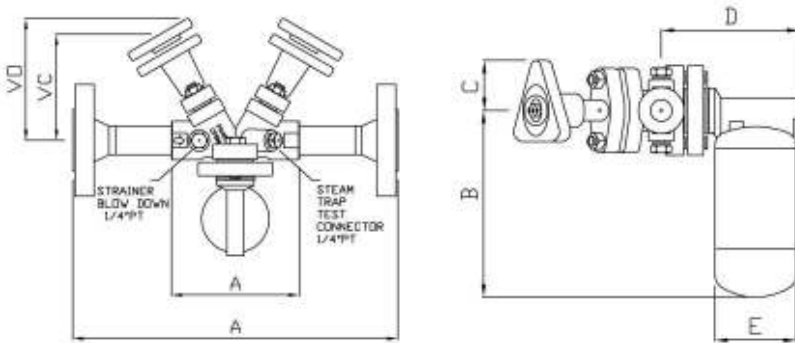
® SINCE 1975

No.K03 · K03F

MOP 41K x 330°C



- COMPACT, PACKAGE CONSISTS OF 2 PISTON VALVES, 1 STRAINER, 1 STEAM TRAP, 2 STRAINER BLOW DOWN CONN. 2 STEAM TRAP TEST CONN.
- ECONOMIC, EASY TO PIPING, SAVE LABOR, SAVE TIME, EASY FOR MAINTENANCE.
- ANTI-CORROSIVE, ALL STAINLESS STEEL CONSTRUCTION FOR LONGER SERVICE YEARS.
- WITH STAND HI-PRESSURE AND HI-TEMPERATURE SERVICE.
- ABLE TO ADOPT OTHER BRAND'S UNIVERSAL STEAM TRAPS.
- EASY FOR SELECTION, ONLY METHOD OF CONNECTION IS REQUIRED.
- PISTON VALVE, STEM IS WELL PROTECTED IN HANDLE SELEEVE.



## No.K03.K03F DIMENSIONS(MM). MOP(KG/ CM<sup>2</sup>).

MODEL No.	CONN.	A	B	C	D	E	VC*	VO*	MOP	WT
K03 W / 771	15.20 SE.SW	120	146	39	108	64	100	115	41	3.6
K03F W / 771	20.25 FLANGED	305	146	39	108	64	100	115	41	6.8

\*771 WEIGHT @1.5KG

\*VC=VALVE CLOSE \*VO=VALVE OPEN.

\*NPT. BSPT. SW AVAILABLE.

## CONSTRUCTION OF MATERIALS

BODY	CF8M S.S.316
HANDLE	CF8 S.S.304
YOKE	CF8 S.S.304
LANTERN	S.S.304
SEAL	GRAPHITE WITH S.S.316 SCREEN
ROD	HARDEND S.S17-4PH
BODY BOLT & NUT	S.S.304
STEAM TRAP BOLT	ALLOY STEEL B7



STEAM TRAP INFORMATION REFER TO 771 CATALOGUE  
772 STEAM TRAP ALSO AVAILABLE CONSULT FACTORY